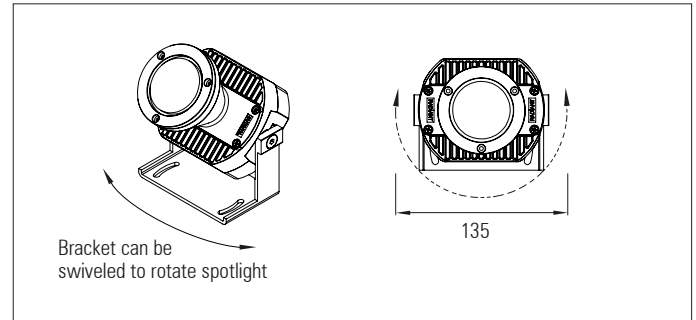
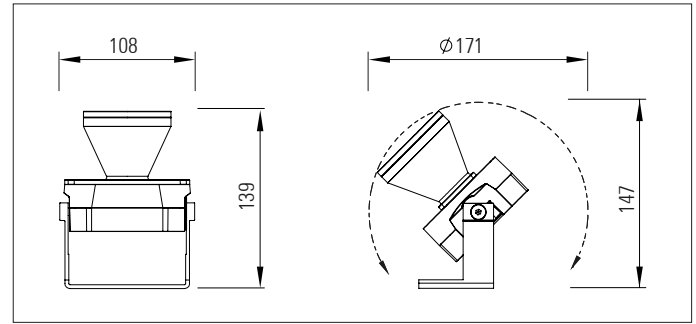
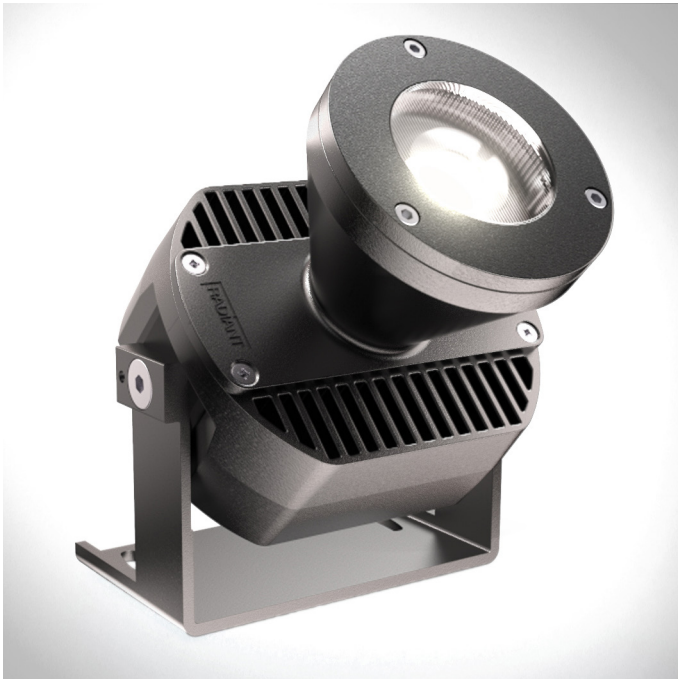


D100 IP20 Spotlight

1 x high-power LED with 4° beam lens per module

Exterior LED spotlight range



D100 IP20 Spotlight with 1 x high-power LED with 4° beam lens

Interior LED spotlight range with integral LV DC to DC driver or remote AC to DC driver and extremely narrow beam with oval option for creative decorative lighting

Product description:

The D100 IP20 spotlight range has been developed for use in architectural lighting applications where powerful, highly controlled lighting effects are required from a compact luminaire

Each spotlight comprises of: 1 x Cree XHP35 HI LED with a LEDIL LEIA lens system which produces a 4° spotlight beam

An additional sublens can produce a narrow high-aspect (50° + 5°) oval beam

Up to 10 Watts per spotlight

Rotatable in two axes using the adjustable angle brackets. Other mounting brackets are also available including custom designs to meet project requirements

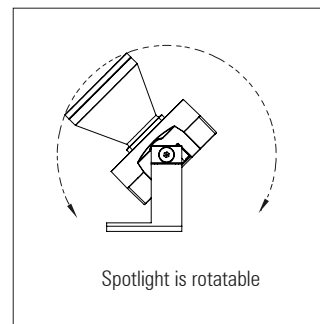
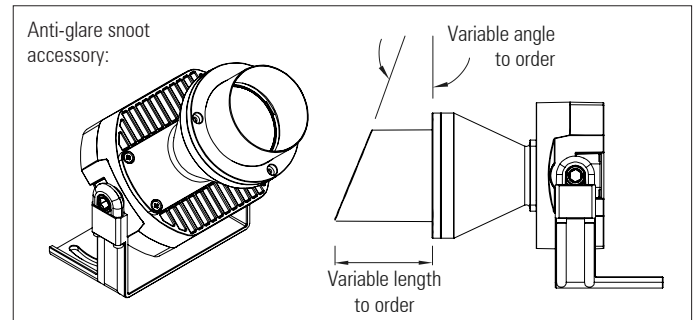
Both integral LV DC to DC driver and remote AC to DC driver versions are available

Dimming options available: 1-10V, DMX and DALI. Separate dimming channel

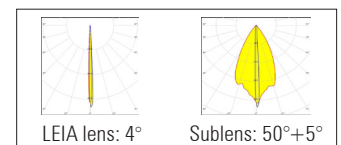
Various LED colour temperature and CRI options available

Satin black, satin white or any RAL paint colour finish

Custom anti-glare snoot accessories can be specified - ensuring excellent visual comfort



Up to 670 Lumens per spotlight



Product Code	IP	LED Type	Colour Temp. (K)	CRI	Optics (°)	Anti-glare Snoot	Fixing Type	Finish
D100 IP20 4° LENS REMOTE DRIVER	20	Cree: XHP35 HI	27=2,700k	80	LEDIL LEIA lens:	Cut-angle: 0° - 75° (increments of 5°)	Adjustable angle	Black
			30=3,000k		Ultra-narrow 4° spot beam			
D100 IP20 4° LENS INTEGRAL DRIVER			35=3,500k	90	+ sublens:	Height: specify height	Custom height adjustable angle (specify leg height)	White
	40=4,000k	Ultra-narrow 50° + 5° oval beam			Custom solution			
			45=4,500k					Any RAL colour
			50=5,000k					